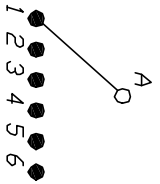
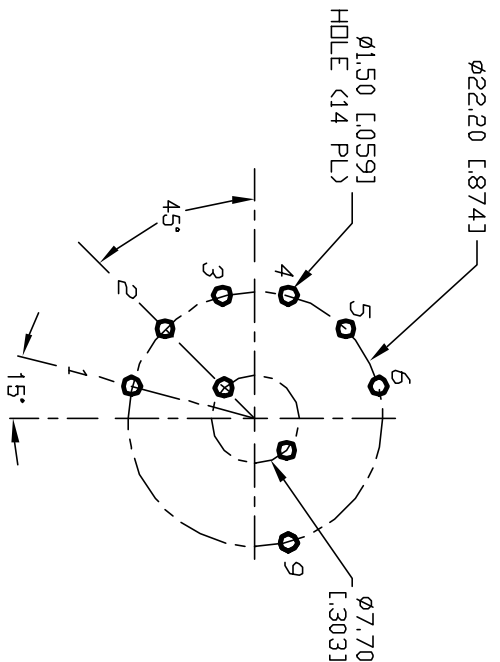


NOTES:

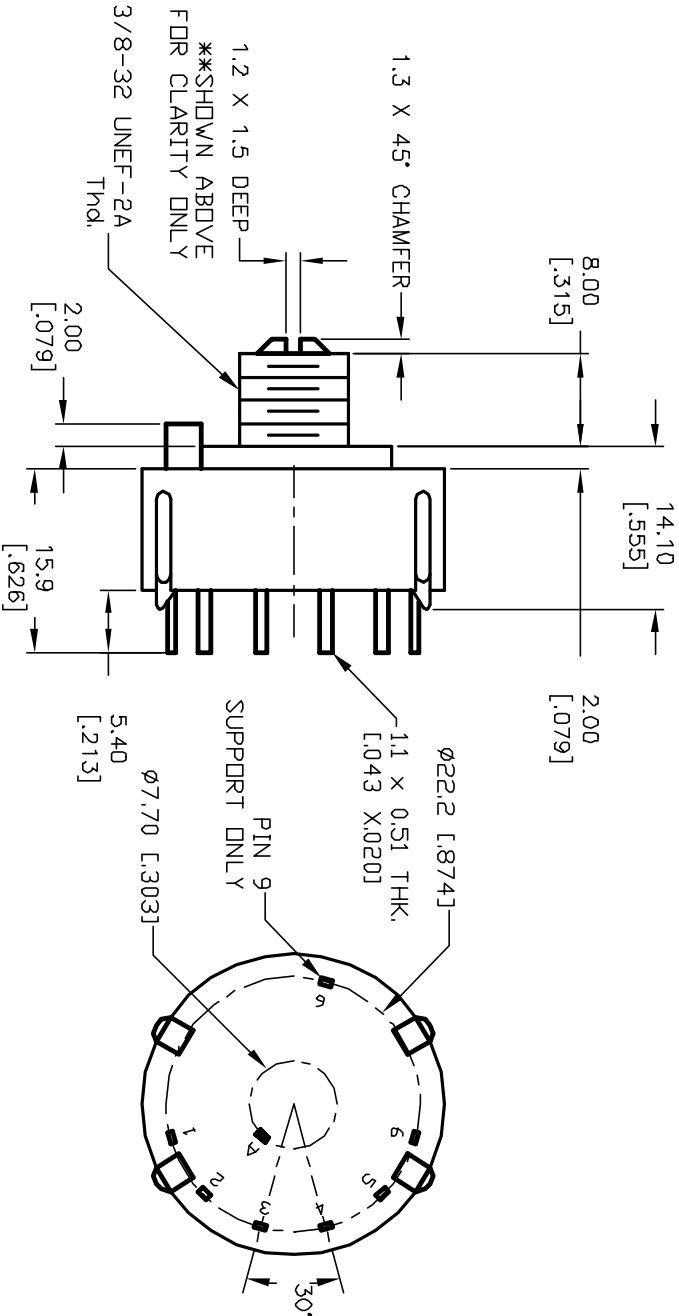
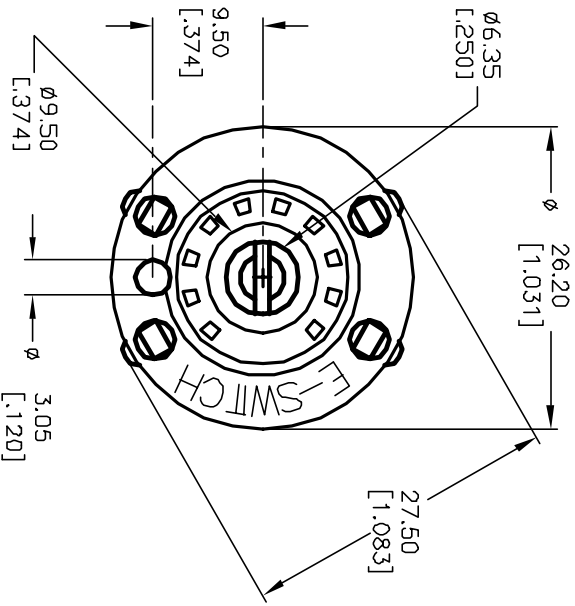
1. ALL DIMENSION IN MM [INCH]
2. GENERAL TOLERANCE: X.X=±0.4
X.XX=±0.25
3. TERM. NOS. FOR REF. ONLY
4. CONTACT RATING SWITCHING: 150mA, 250V AC/DC
350mA, 110V AC/DC
5. CONTACT RATING (NON-SWITCHING) 5A
6. OPERATING FORCE: 425±100 CM/STANDARD
7. OPERATING TEMP: -30° to 85°C
8. CIRCUIT SP: 6 POSITIONS, 30° INDEX.
9. DIELECTRIC STRENGTH 1000V RMS min. @ SEA LEVEL
10. DESIGNATE MAJOR DIMENSIONS
11. SUPPLIED HARDWARE: LOCK NUT AND WASHER NOT SHOWN.



CONTACT CONFIGURATION
Timing: NON-SHORTING



RECOMMENDED P.C.B. LAYOUT



E-SWITCH®

REV.	ECN No.	DESCRIPTION	DATE	CHKD
A	11716	RELEASED FOR PRODUCTION	12/20/02	CJB

TITLE	SCALE	DATE	DR	DWG	REV
KC-16-D-01-N-P-S (FLUSH ACTUATOR)	1.5:1	12/20/02	CJB	G510730	A

THE INFORMATION CONTAINED IN THIS DOCUMENT IS PROPRIETARY TO E-SWITCH AND IS NOT TO BE COPIED OR TRANSFERRED